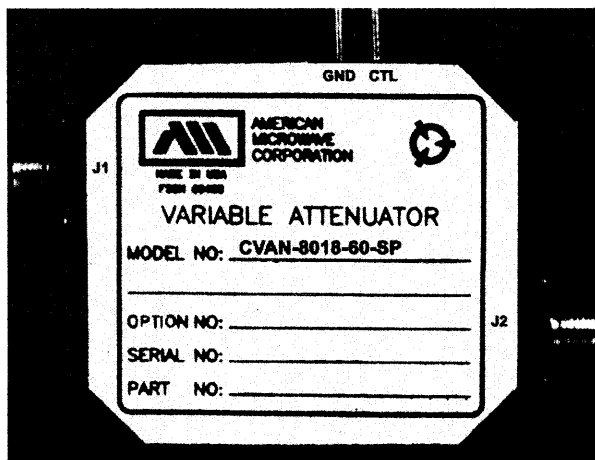


9.5 TO 10.0 GHz, CURRENT VARIABLE ATTENUATOR



AMERICAN MICROWAVE CORPORATION

- 9.0 TO 10.0 GHz
- CURRENT CONTROL
- 60dB ATTENUATION RANGE
- REMOVABLE SMA RF CONNECTORS



AMC MODEL No: CVAN-8018-60-SP

WITH OPTIONS: 002 & 10F

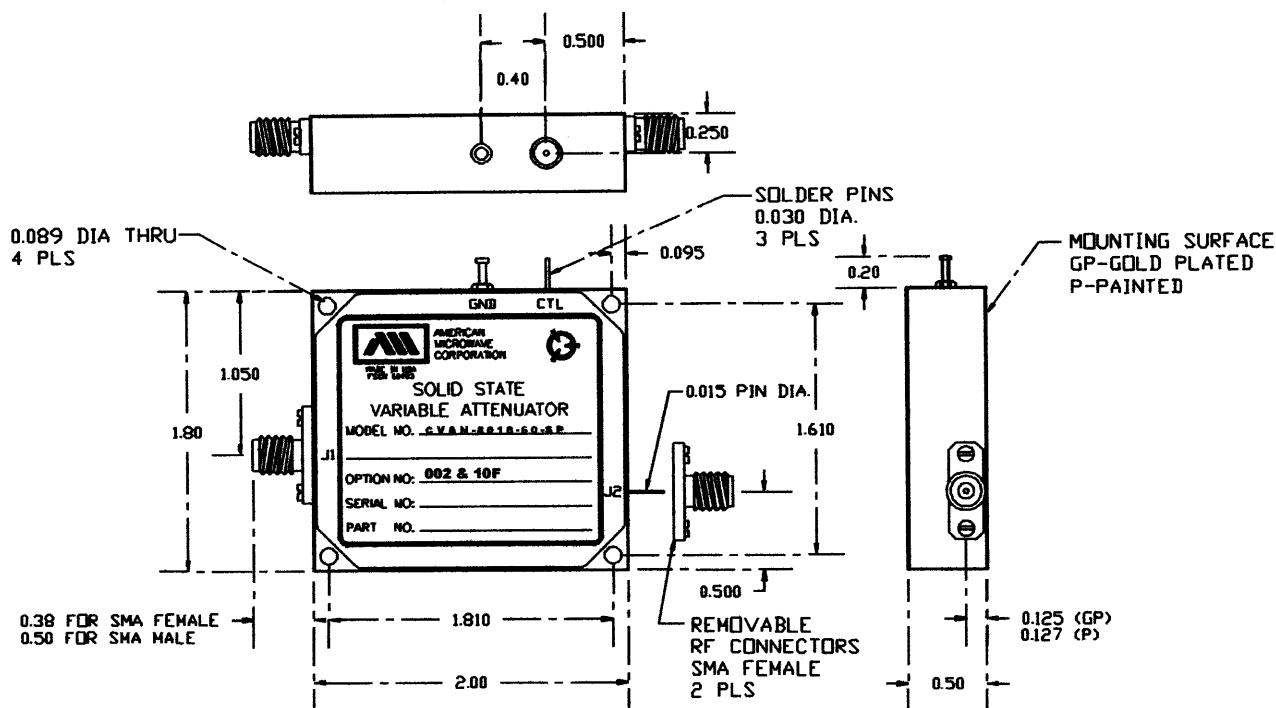
CVAN MODEL #	FREQUENCY RANGE	INSERTION LOSS(MAX)	VSWR (MAX)	FLATNESS @ 10dB	FLATNESS @ 20dB	FLATNESS @ 40dB	FLATNESS @ 60dB
8018	8.0 to 18.0 GHz	2.7 dB**	2.0:1	±0.8 dB	±1.1 dB	±1.5 dB	±1.6 dB
8018E (Extended Bandwidth)	6.0 to 18.0 GHz	3.7 dB**	2.2:1	±0.9 dB	±1.6 dB	±3.0 dB	±3.5 dB

SPECIFICATIONS:

- FREQUENCY RANGE : 9.5 TO 10.0 GHz (OPTION 10F)
- DEVIATION FROM LINEARITY : 0 TO 30 dB ± 0.5 dB
: 30 TO 50 dB ± 1.0 dB
: 50 TO 60 dB ± 1.5 dB
- MONOTICITY : GUARANTEED
- SWITCHING SPEED : RISE: 100 nS MAX. (10% RF TO 90% RF)
: FALL: 20 nS MAX. (90% RF TO 10% RF)
- TEMPERATURE COEFFICIENT : ± 0.025 dB/°C
- RF POWER RATINGS : + 20 dBm OPERATING, + 30 dBm SURVIVAL
- CONTROL : ≈0.70mA TO ≈27.0mA (10dB TO 60dB ATTENUATION)
- CONNECTORS : ONE REMOVABLE SMA FEMALE
: & ONE REMOVABLE SMA MALE FOR RF (OPTION 002)
: SOLDER PIN CONTROL (OPTION "SP")
: & GROUND LUG
- SIZE : 2.0" X 1.80" X 0.5"
- WEIGHT : ≤4 oz.

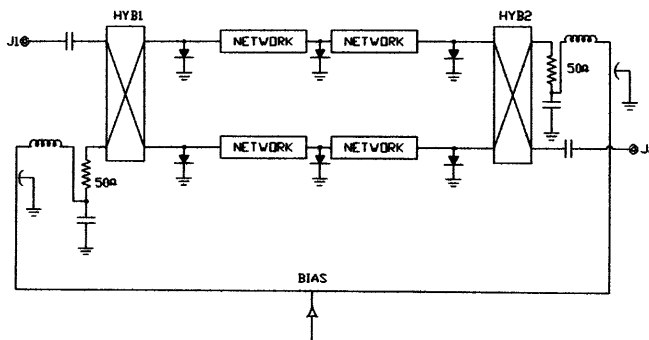


MECHANICAL OUTLINE



ALL DIMENSIONS ARE IN INCHES, TOLERANCE: X.XX ±0.020, X.XXX ±0.010

FUNCTIONAL SCHEMATIC



ENVIRONMENTAL SPECIFICATIONS

TEMPERATURE	: -55°C to +85°C Operating -65°C to +125°C Non-Operating
HUMIDITY	: MIL-STD-202F, Method 103B Cond. B
SHOCK	: MIL-STD-202F, Method 213B Cond. B
VIBRATION	: MIL-STD-202F, Method 204D Cond. B
ALTITUDE	: MIL-STD-202F, Method 105C Cond. B
TEMPERATURE CYCLE	: MIL-STD-202F, Method 107D Cond. A

NOVEMBER 15th, 2000